



GONG

1987 - 2020 - Gianfranco Frattini

Description

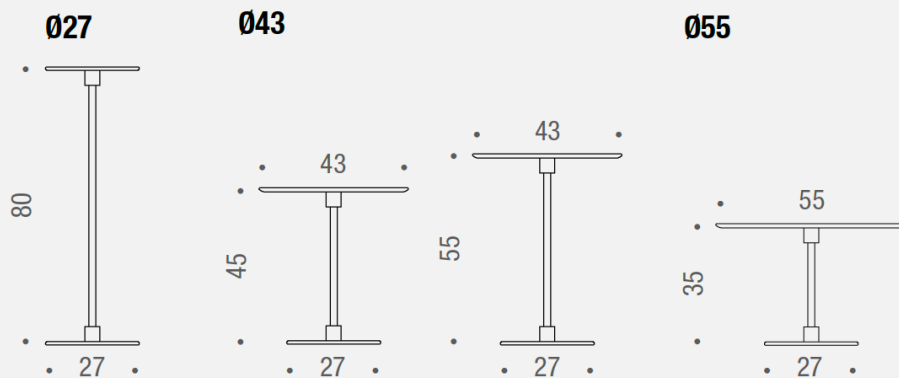
Emblematic of the rigorous designs of Gianfranco Frattini, the Gong side table reemerges with his quintessential grace and flair of form, now in diverse heights and diameters — a family of proportions for sculptures, plants, and other decor. In a muted brushed finish of brass or gunmetal, the metals present a new emphasis on materiality, with a column in the same colour or contrasting in brass, and a tabletop and base in iron, all in gleaming, elemental purity.

Sizes: Ø27 H80; Ø43 H45; Ø43 H55; Ø55 H35.

Finishings

Top and stand The two metal disks of different widths, one for the base and the other for the slightly concave top, are joined by a hexagonal stand through small metal spools. The side tables are entirely painted in gunmetal or an orbital bronze finish. The stand is in brushed brass for the two-coloured version and sharply contrasts with the two finishes. Orbital bronze: hand-brushed handcrafted finish to create the “scratched” effect. The difference between the coffee tables of the same finish is characteristic of the manual processing that can be susceptible to variations in tone and homogeneity

Technical info



USE CAUTIONS

Do not use the product in an improper way. In particular, do not climb or sit on it or rest heavy objects on it or any item for which the product has not been specifically designed.